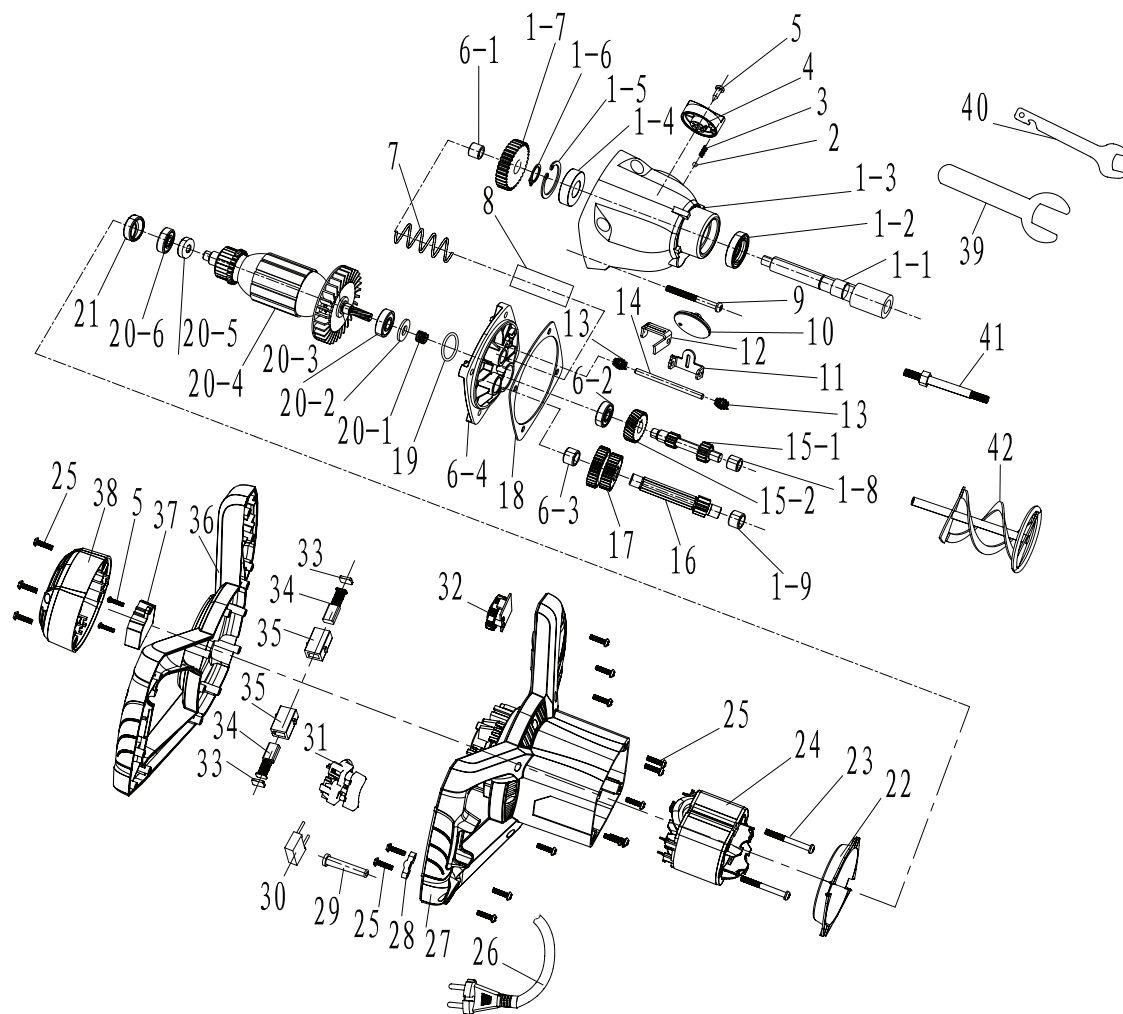


WALLPRO® POWER MIXER HD 1600W PM-1600

Spare Parts Diagram



WALLPRO® POWER MIXER HD 1600W SPARE PARTS

Code	Description	Code	Description
PM16-1	Gear Box	PM16-22	Stator Seal
PM16-2	Steel Ball	PM16-23	Screw ST4.8x55
PM16-3	Spring	PM16-24	Stator
PM16-4	Shift Knob	PM16-25	Screw ST4x16-F
PM16-5	Screw ST3x12	PM16-26	Cable
PM16-6	Middle Cover	PM16-27	Housing
PM16-7	Spring	PM16-28	Cable Press Plate
PM16-8	Oil Filler Pipe	PM16-29	Cable Sleeve
PM16-9	Screw ST5x35	PM16-30	Capacitor
PM16-10	Shift Dial	PM16-31	Switch
PM16-11	Shift Fork A	PM16-32	Potentiometer
PM16-12	Shift Fork B	PM16-33	Brush Cap
PM16-13	Spring	PM16-34	Carbon Brush
PM16-14	Shift Guide	PM16-35	Brush Holder
PM16-15	Main Driving	PM16-36	Handle Cover
PM16-16	Assistant Driving Axle	PM16-37	Constant Speed Device
PM16-17	Duplicate Gear	PM16-38	Back Cover
PM16-18	Paper Mat	PM16-39	Wrench
PM16-19	O Ring	PM16-40	Wrench
PM16-20	Rotor	PM16-41	Mixing Paddle
PM16-21	Bearing Sleeve 608	PM16-42	Mixing Paddle Head

*Use only genuine Wallpro® parts on Wallpro® brand power tools. Using other brand parts on Wallpro® tools may affect the operation of the product and void warranty. Repairs undertaken by parties other than a registered repair centre may void the product warranty. Please contact Wallboard Tools Customer Service to locate your nearest repair centre.